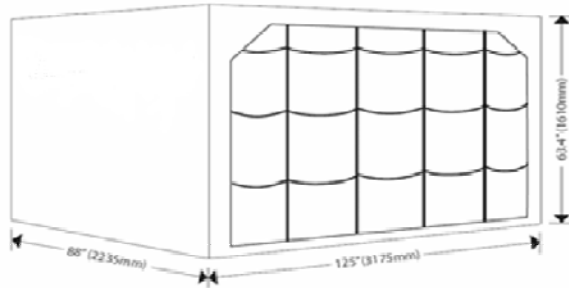


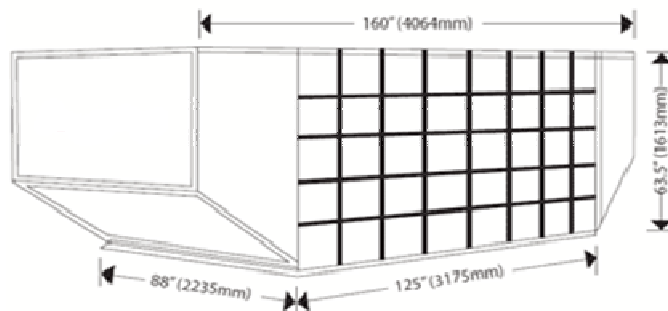
AIRLINE CONTAINER UNIT SPECIFICATIONS

AAP



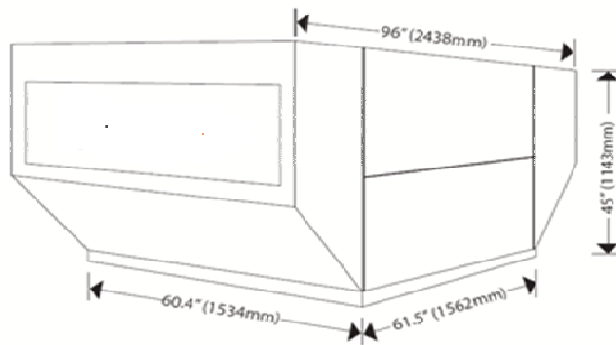
ID code	AAP
U.S domestic code	LD-9
Aircraft types	All B747, B767, A330, A380
Deck	Main / Lower
Base size	2235 x 3175mm
Height	1610mm
Roof length	3175mm
Max. gross weight	4626kg
Internal volume	10.3cu m
External volume	11.2cu m
Door opening	2928 x 1474mm
Tare weight (approx)	200 - 273kg

AAF



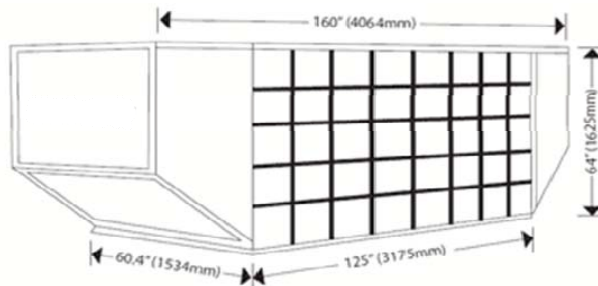
ID code	AAF
U.S domestic code	LD-26
Aircraft types	All B747, B767, A330, A380
Deck	Lower
Base size	2235 x 3175mm
Height	1613mm
Roof length	4064mm
Max. gross weight	4626kg
Internal volume	13cu m
External volume	13.6cu m
Door opening	2928 x 1474mm
Tare weight (approx)	286kg

AKH



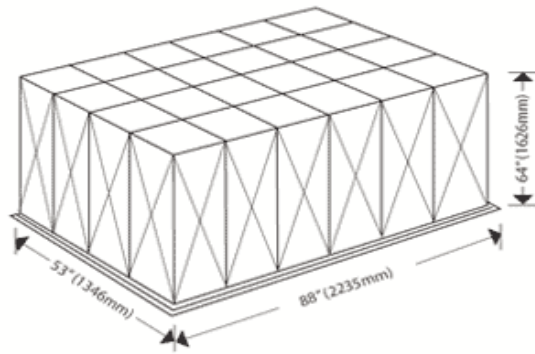
ID code	AKH
Aircraft types	A320
Deck	lower
Base size	1534 x 1562mm
Height	1143mm
Roof length	2438mm
Max. gross weight	1000kg
Internal volume	3.7cu m
External volume	3.9cu m
Door opening	1422 x 1090mm
Tare weight (approx)	80kg

ALF



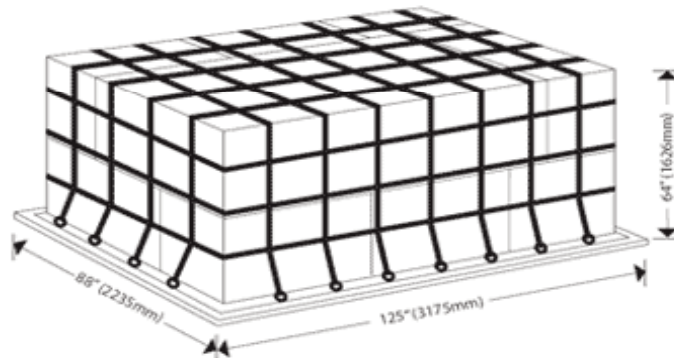
ID code	ALF
U.S domestic code	LD-6
Aircraft types	All B747, A330, A380
Deck	lower
Base size	1534 x 3175mm
Height	1625mm
Roof length	4064mm
Max. gross weight	3175kg
Internal volume	8.9cu m
External volume	9.4cu m
Door opening	2959 x 1494mm
Tare weight (approx)	160kg

PEB



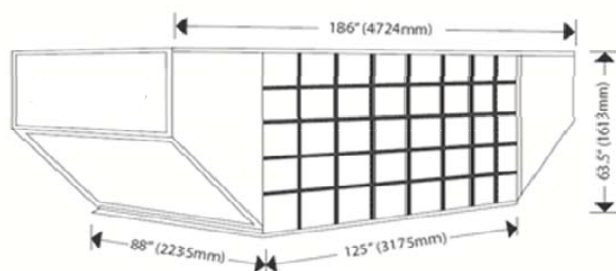
ID code	PEB
U.S domestic code	PLT
Aircraft types	B747F
Deck	main
Base size	1346 x 2235mm
Max. gross weight	2516kg
Tare weight (approx)	44kg

PAG



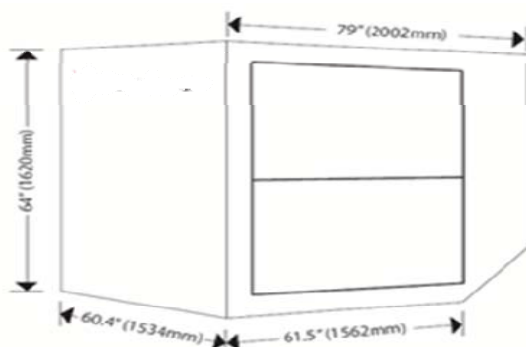
ID code	PAG
U.S domestic code	LD-7
Aircraft types	All B747, B767, A330, A380
Deck	lower
Base size	2235 x 3175mm
Max. gross weight	4626kg
Tare weight (approx)	110kg

AAU



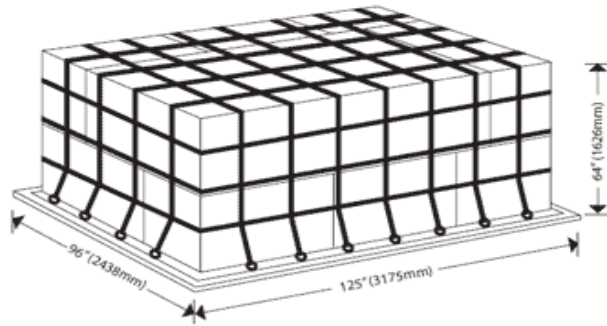
ID code	AAU
U.S domestic code	LD-29
Aircraft types	All B747
Deck	lower
Base size	2235 x 3175mm
Height	1613mm
Roof length	4724mm
Max. gross weight	4626kg
Internal volume	14.3cu m
External volume	14.9cu m
Door opening	2927 x 1474mm
Tare weight (approx)	259kg

AKE



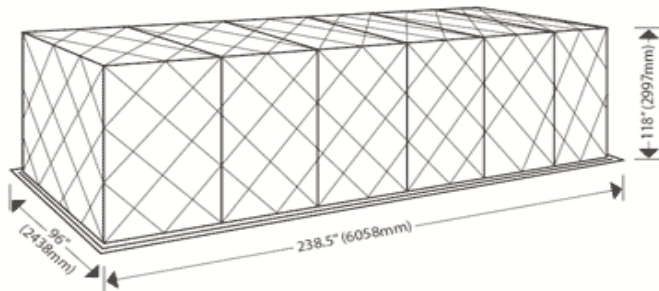
ID code	AKE
U.S domestic code	LD-3
Aircraft types	All B747, B767, A330, A380
Deck	lower
Base size	1534 x 1562mm
Height	1620mm
Roof length	2002mm
Max. gross weight	1587kg
Internal volume	4.5cu m
External volume	4.8cu m
Door opening	1427 x 1533mm
Tare weight (approx)	70 - 79kg

PMC



ID code	PMC
U.S domestic code	PLT
Aircraft types	All B747, B767, A330, A380
Deck	lower
Base size	2438 x 3175mm
Max. gross weight	5100kg
Tare weight (approx)	110kg

PGA



ID code	PGA
U.S domestic code	M-2
Aircraft types	B747F
Deck	main
Base size	2438 x 6058mm
Max. gross weight	13608kg
Tare weight (approx)	578kg